

Lined Swing Check Valve CVS

Sandwich Type Lined Swing Check Valve CVS PFA-lined, PN 16/Class150

The GFT9 lined Swing Check Valve type CVS is ideally suitable for preventing backflow or back pressure. Due to its fully lined design it gives maximum security against corrosion and contamination even for applications, where highly corrosive or reactive, pure, permeating or even abrasive media need be handled safely.

It is the preferred choice, when superior performance at almost no maintenance is important.

Thanks to its wide range of alternative linings it can be used in to handle a multitude of corrosive applications across a broad variety of industries like chemical, fine-chemical, pharmaceutical, petro-chemical, pulp & paper, mining etc.

The CVS can be used, where Stainless Steel and full plastic materials like PVC, PVDF, PP, etc. are insufficiently corrosion resistant.

Thanks to the pressure-bearing body being made of metal it is more suitable for applications, where a sturdy design is needed due to higher system pressures.

Flange dimensions:
DIN EN 1092-1, PN 16, ANSI B 16.5 Cl. 150/B16.42

Face to face dimensions:
DIN EN 558-1 Row 20, ISO 5752/API 609/BS 5155

Design standard:
DIN EN 593

Temperature range:
-40°C up to +150°C

Min. 3,0mm thick lining. Option: 5mm thickness for highly permeating fluids

Vacuum proof lining thanks to anchoring

Highly corrosion and permeation resistant virgin PFA

Wide range of optional lining: PFA/ AS, FEP, PVDF, ETFE

Option: PTFE solid retainer ring

Low pressure drop

No spring or pin - no corrosion or wear & tear

Non adhesive lining, highly suitable for sticky or pure media

Less costly and faster lead time compared to special alloys like Hastelloy, Tantalum, Monel



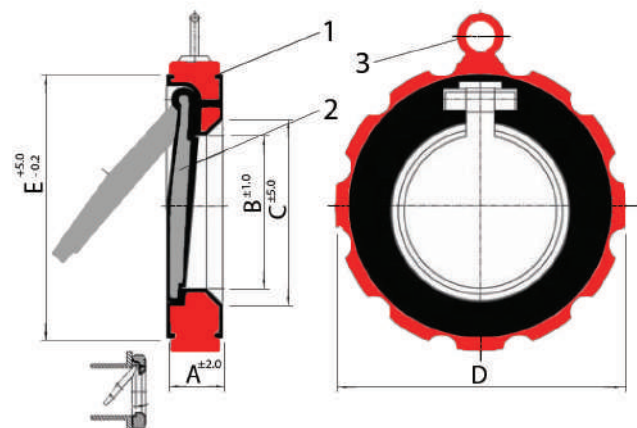
Testing Standard:
DIN EN 12266-1&2

Hydraulic Test:
Body 15bar
Back Seat 2bar Leakage Rate D
Spark Test 15kV DC

Δp (psi)	Δp (bar)	Leakage Rate (cm ³ /min)
0 - 40	0- 2.76	5-10
41 - 74	2.77- 5.1	3-5
above 74	above 5.1	0

No.	Description	Material
1	Body with Lining	ASTM A395 (0.7043)* PFA, PFA/AS, FEP, PVDF, ETFE
2	Lined Disc	PTFE
3	Eye Bolt	MS, zinc plated

* Other body materials: A216WCB (1.0619), CF-8 (1.4401), CF8-M (1.4408)



	SIZE	A* ²	B	C	D	E	Inner Pipeø		Max. Opening
		[mm]	[mm]	[mm]	[mm]	[mm]	Min.	Max.	
Between ANSI #150 FLANGED	DN 40 - 1 1/2"	33	20	35	95	70	35	46	52°
	DN 50 - 2"	43	30	52	110	90	46	56	52°
	DN 80 - 3"	46	42	64	142	124	73	82	52°
	DN 100 - 4"	52	65	80	180	152	95	100	60°
	DN 150 - 6"	56	111	128	233	207	145	150	60°
	DN 200 - 8"	60	133	175	295	260	192	195	60°
	DN 250 - 10"	68	184	224	348	317	242	260	52°
	DN 300 - 12"	78	232	272	398	367	292	310	52°
	DN 350 - 14"	92	252	297	426	397	315	330	48°
	DN 400 - 16"	102	327	370	510	470	380	390	45°

*² As per DIN EN558-1 Row 20
Testing in accordance with DIN EN 12266-1 Table A3