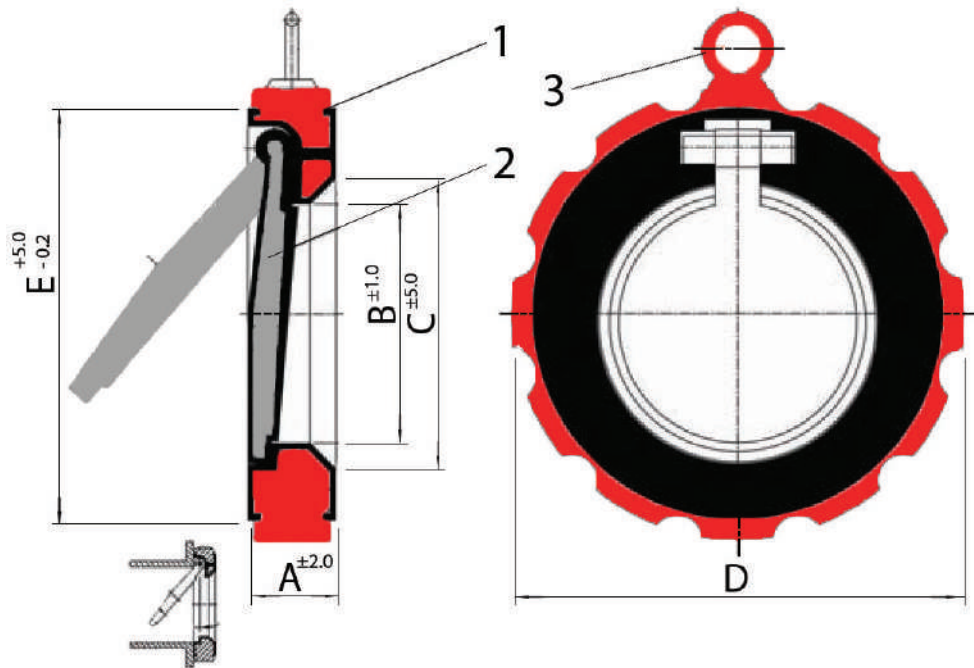


## Rückschlagklappe/Swing Check Valve

### Masszeichnung/Dimensional drawing



GRÖSSE SIZE	A*2 [mm]	B [mm]	C [mm]	D [mm]	E [mm]	Inner Pipe ø		Max. Opening
						Min.	Max.	
DN 40 - 1 1/2"	33	20	35	95	70	35	46	52°
DN 50 - 2"	43	30	52	110	90	46	56	52°
DN 80 - 3"	46	42	64	142	124	73	82	52°
DN 100 - 4"	52	65	80	180	152	95	100	60°
DN 150 - 6"	56	111	128	233	207	145	150	60°
DN 200 - 8"	60	133	175	295	260	192	195	60°
DN 250 - 10"	68	184	224	348	317	242	260	52°
DN 300 - 12"	78	232	272	398	367	292	310	52°
DN 350 - 14"	92	252	297	426	397	315	330	48°
DN 400 - 16"	102	327	370	510	470	380	390	45°

\*2 Gemäss DIN EN558-1, Row 20  
Test gemäss DIN EN 12266-1

\*2 As per DIN EN558-2, Row 20  
Testing in accordance with DIN EN 12266-1